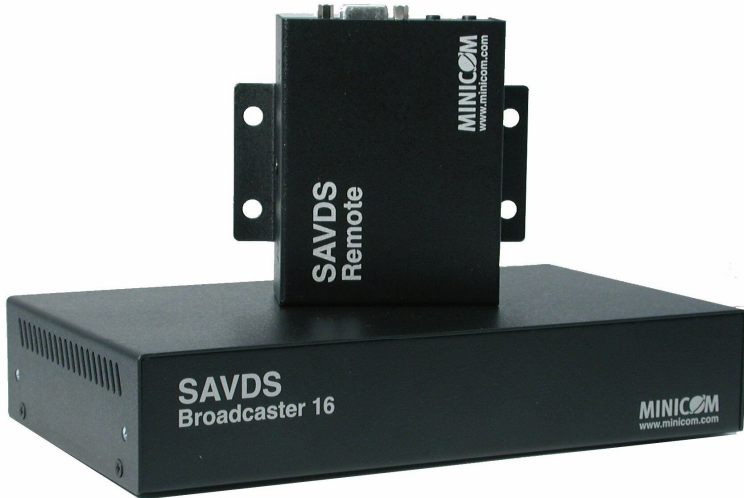


CAT5 Stereo Audio/Video Display Quick Installation Guide



www.minicom.com

International HQ

Jerusalem, Israel
Tel: + 972 2 535 9666
minicom@minicom.com

North American HQ

Linden, NJ, USA
Tel: + 1 908 4862100
info.usa@minicom.com

European HQ

Dübendorf, Switzerland
Tel: + 41 44 823 8000
info.europe@minicom.com

Technical support - support@minicom.com

1. What is the CAT5 Stereo Audio/Video Display system?

The CAT5 Stereo Audio/Video Display (SAVDS) system from Minicom broadcasts real-time high-resolution video and stereo audio signals to 8 or 16 remote display monitors and speakers. The SAVDS broadcasts the video up to resolutions of 1600 x 1200 @ 75Hz depending on the cable length.

The SAVDS system consists of the following:

- Broadcaster
 - 8 port Broadcaster p/n 0VS30001
 - 16 port Broadcaster p/n 0VS30002
- Remote units that connect to each remote screen. P/n 0VS22041A/P or p/n 0VS30003

Warning! Do NOT connect units with the above part numbers to units of earlier AVDS systems that have different part numbers. Part numbers are located on the back of each unit.

2. The Remote units

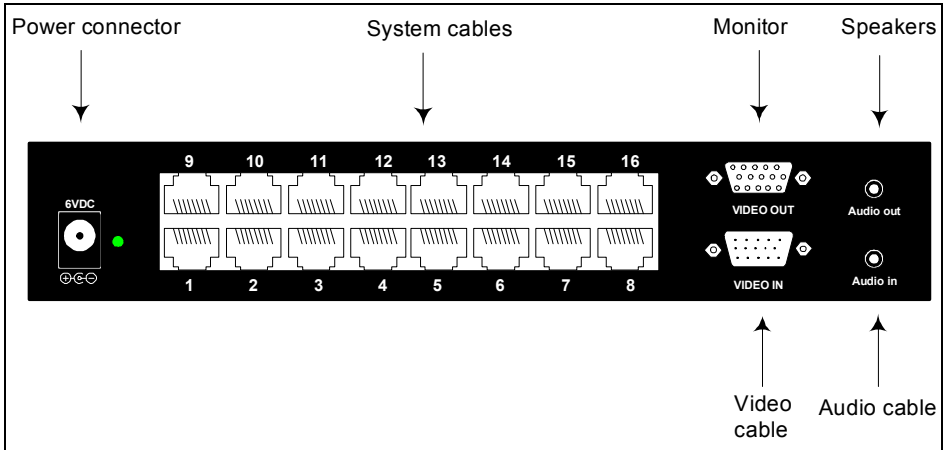
The Remote units:

- Can be up to 110m/360ft away from the Broadcaster.
- Can be connected with Shielded CAT5 FTP or CAT5 UTP cables
- Produce high quality stereo audio signals
- Need a separate power supply (provided with p/n 0VS22041A/P)

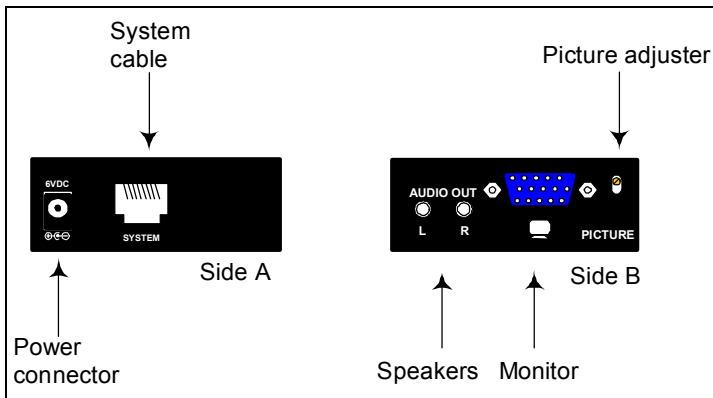
3. The SAVDS units

The figures below illustrate the Broadcaster, and Remote Units ports. The ports are the same for the 8 and 16 port Broadcasters, except for the number of System cable ports.

QUICK INSTALLATION GUIDE



16 port Broadcaster



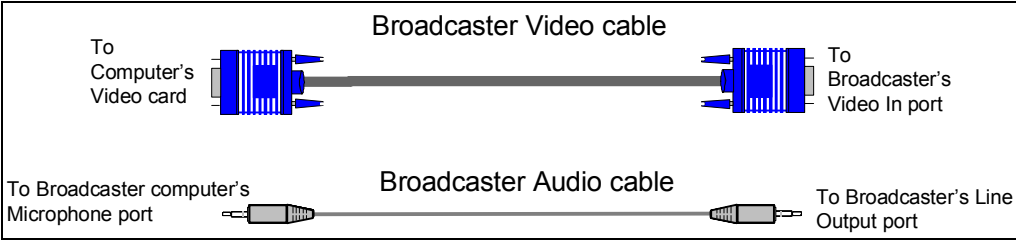
Remote unit

4. Pre-installation guidelines

Place cables away from fluorescent lights, air conditioners, and machines that are likely to generate electrical noise.

5. The SAVDS cables

The SAVDS cables are illustrated below. Connect the cables as explained.



Connecting the CAT5 cables

Please note!

Connect the CAT5 cables to the Broadcaster when it is powered off. We recommend that you connect the CAT5 cables **BEFORE** connecting the power supply.

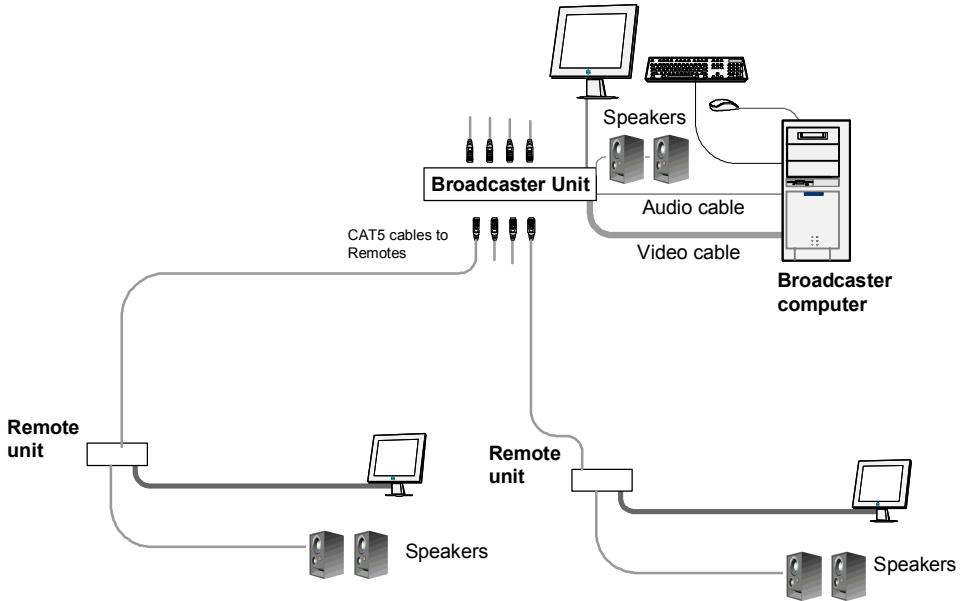
Connecting the Power supply

Connect the Broadcaster to the power supply with the 6 VDC, 2A from the AC/DC adapter provided.

Connect the Remote units to the power supply with 6 VDC. Ensure correct polarity.

6. SAVDS configuration

The figure below illustrates the SAVDS configuration.



7. Operating the SAVDS system

Once connected the SAVDS system broadcasts to all remote monitors/speakers.

8. Adjusting the picture quality

Use a small screwdriver to turn the Picture adjuster on the Remote Unit to adjust the picture quality.

9. Technical specifications

SYSTEM	
Resolution	Up to 1600x1200 @ 75 Hz
System cable	CAT5 FTP / UTP 2x4x24 AWG
Max distance	110m/360ft
Input/Output Video Signals	Analog signal red, green, blue 0.7v p-p 75 Ohm
Sync.	TTL compatible
Horizontal/Vertical Sync. Polarity	Positive/Negative
Audio	Stereo
Operating Temperature	0°C to 40°C/32°F to 104°F
Storage Temperature	-40°C to 70°C/-40°F to 158°F
Audio frequency response	150Hz-5kHz
Humidity	80% non condensing relative humidity
Warranty	3 years

	BROADCASTER	REMOTE
Cables & Connectors	VGA In - HDD15M	System In - RJ45
	VGA Out - HDD15F	Screen - HDD15F
	System Out – 8/16 Ports RJ45	Audio L/R Jack
	Audio In/Out – Jack	Power jack
	Power jack	
Dimensions (HxWxD)	4.2 x 21.5 x 12 cm/ 1.6 x 8.5 x 4.7 in	3.3 x 7.2 x 9.4 cm/ 1.3 x 2.9 x 3.8 ”
Power supply	AC/DC Power Adapter 6VDC 2A	AC/DC Power Adapter 6VDC 800mA

Regional Offices

Germany

Kiel

Tel: + 49 431 668 7933

info.germany@minicom.com

France

Vincennes

Tel: + 33 1 49 57 00 00

info.france@minicom.com

Italy

Rome

Tel: + 39 06 8209 7902

info.italy@minicom.com

England

Camberley

Tel: + 44 (0) 1276 25053

info.uk@minicom.com

www.minicom.com



© Copyright 2006 Minicom Advanced Systems Ltd.