

Application

Title: Dual Video / Serial switch applications

No: 200703-04

Contact: mtu@minicom.com

Summary: Connecting to several computers and switching between their Video, Keyboard, Mouse and their Serial port

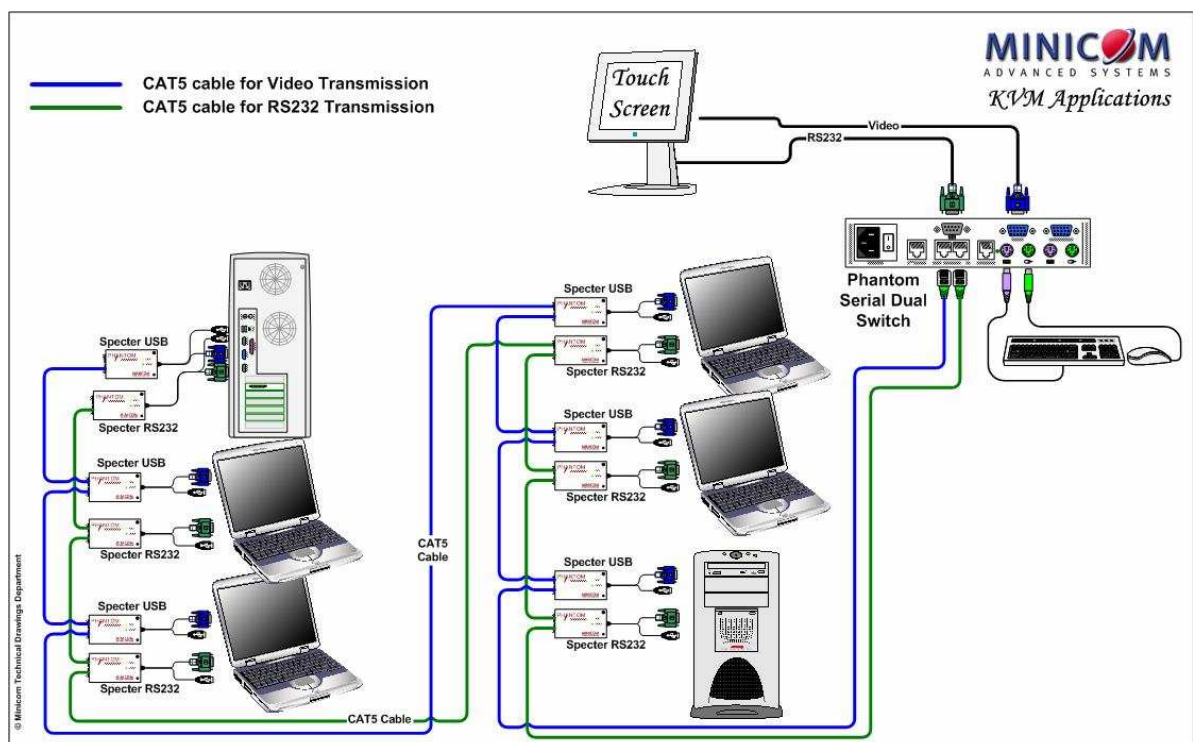
More Information

The Dual Video/Serial KVM switch (Part number: 0SU52036) features simultaneous connection to the KVM and to the Serial port of the target PC or Servers.

Below are several working applications of the Dual/Video serial switch.

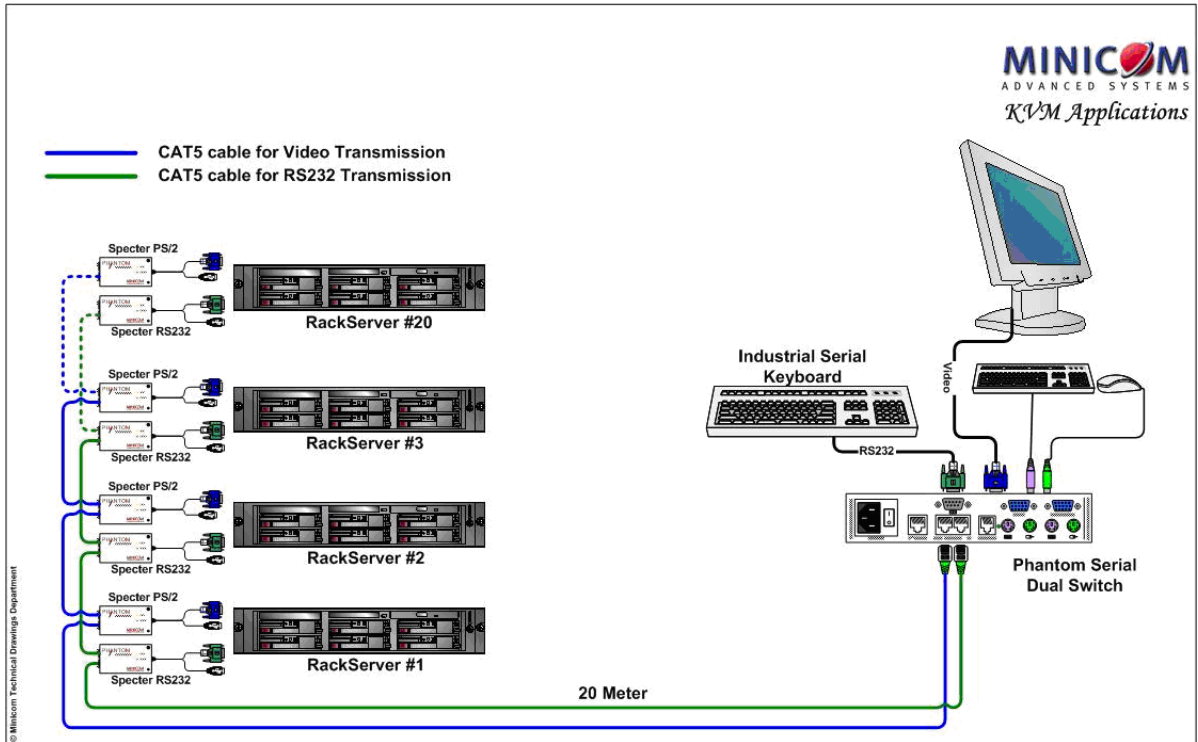
1. Digital Signage application

Use the KVM switch to switch control of Keyboard, Mouse, and the touch screen between several computers.



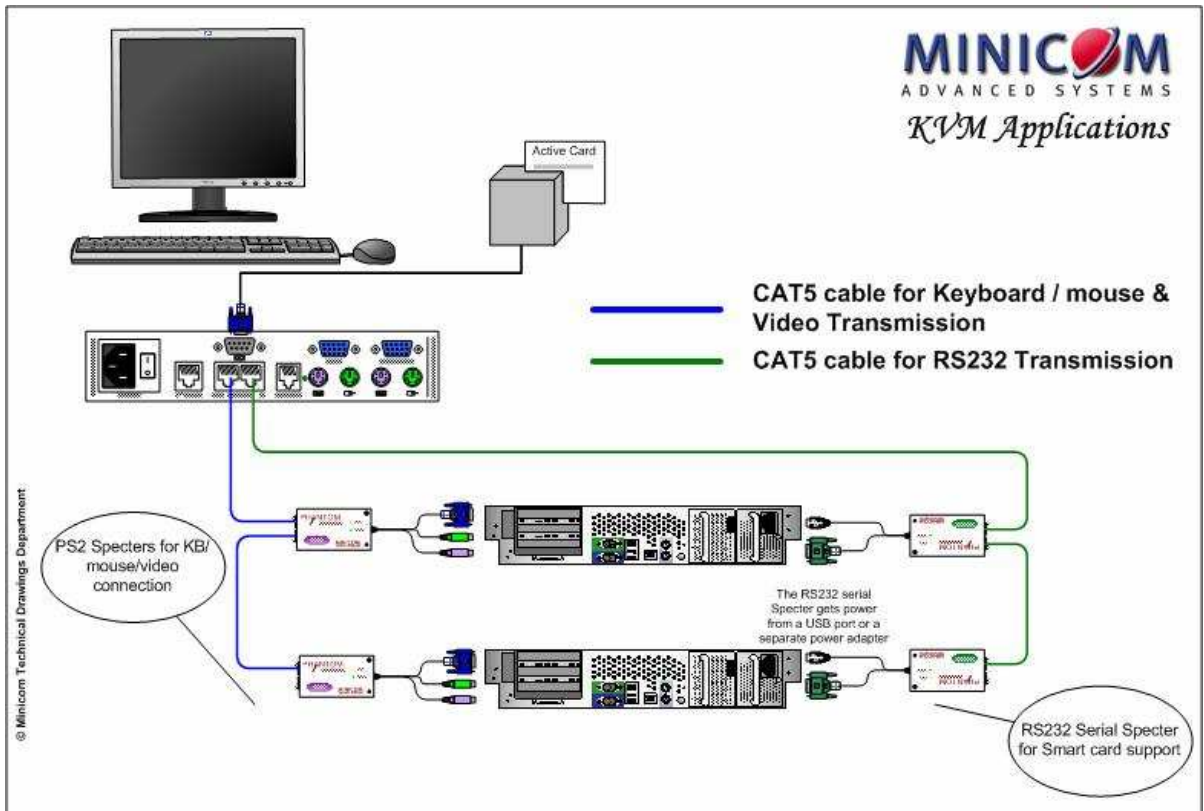
2. Production plant application

Use the KVM switch to switch control of Keyboard, Mouse, Video and to switch a serial industrial keyboard between several servers.



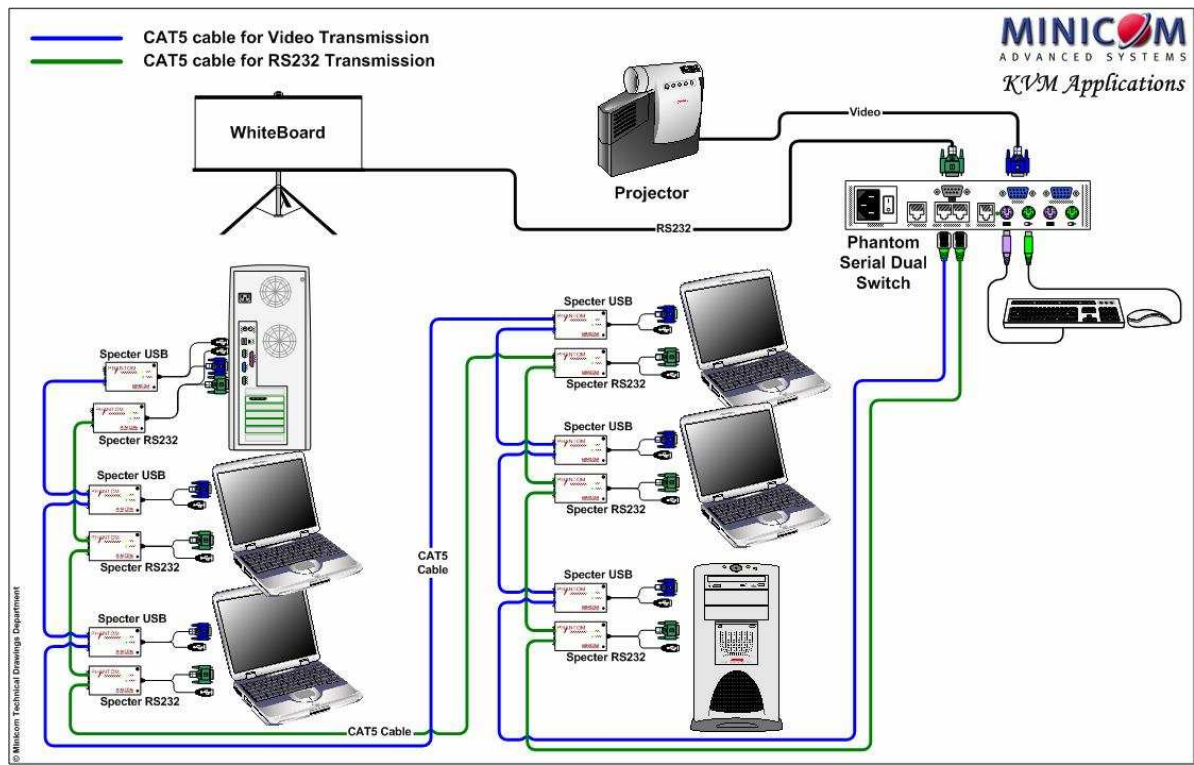
3. Server room control application.

Use the KVM Switch to switch control of Keyboard, Mouse, Video and also authenticate a 'smart card' serial device to the controlled server



4. Boardroom / Classroom application

Use the KVM switch to switch control of Keyboard, Mouse, Video and allow a smart board to communicate to the selected computer.



Notes:

KVM Serial Dual Switch part number is: 0SU52036