

# CAT5 AV Splitter

## User Guide



[www.minicom.com](http://www.minicom.com)

**International HQ**

Jerusalem, Israel  
Tel: + 972 2 535 9666  
[minicom@minicom.com](mailto:minicom@minicom.com)

**North American HQ**

Linden, NJ, USA  
Tel: + 1 908 4862100  
[info.usa@minicom.com](mailto:info.usa@minicom.com)

**European HQ**

Dübendorf, Switzerland  
Tel: + 41 44 823 8000  
[info.europe@minicom.com](mailto:info.europe@minicom.com)

Technical support - [support@minicom.com](mailto:support@minicom.com)

# Table of Contents

<b>1. Welcome</b> .....	<b>2</b>
<b>2. Introduction</b> .....	<b>3</b>
<b>3. System components</b> .....	<b>3</b>
<b>4. Features</b> .....	<b>3</b>
<b>5. System components</b> .....	<b>3</b>
<b>6. Pre-installation guidelines</b> .....	<b>5</b>
<b>7. Connecting the Central unit</b> .....	<b>5</b>
<b>8. Connecting the Remote units</b> .....	<b>7</b>
<b>9. Operating the system</b> .....	<b>7</b>
9.1 Adjusting the remote screen image.....	7
9.2 Adjusting the volume.....	7
<b>10. Technical specifications</b> .....	<b>8</b>
<b>11. User guide feedback</b> .....	<b>9</b>

## 1. Welcome

Thank you for buying the CAT5 AV Splitter system. This system is produced by Minicom Advanced Systems Limited.

### Technical precautions

This equipment generates radio frequency energy and if not installed in accordance with the manufacturer's instructions, may cause radio frequency interference.

This equipment complies with Part 15, Subpart J of the FCC rules for a Class A computing device. This equipment also complies with the Class A limits for radio noise emission from digital apparatus set out in the Radio Interference Regulation of the Canadian Department of Communications. These above rules are designed to provide reasonable protection against such interference when operating the equipment in a commercial environment. If operation of this equipment in a residential area causes radio frequency interference, the user, and not Minicom Advanced Systems Limited, will be responsible.

Changes or modifications made to this equipment not expressly approved by Minicom Advanced Systems Limited could void the user's authority to operate the equipment.

Minicom Advanced Systems Limited assumes no responsibility for any errors that appear in this document. Information in this document is subject to change without notice.

No part of this document may be reproduced or transmitted in any form or by any means, electronic or mechanical, for any purpose, without the express written permission of Minicom Advanced Systems Limited.

### Trademarks

All trademarks and registered trademarks are the property of their respective owners.

2006 © Copyright Minicom Advanced Systems

## 2. Introduction

The CAT5 AV Splitter (AV Splitter) system from Minicom simultaneously broadcasts audio and video signals to 2 or 4 Remote monitors and speakers up to 110m / 360ft away.

## 3. System components

The AV Splitter system consists of:

- A Central unit – 2 or 4 port model
- Remote units

## 4. Features

- Pure hardware Plug and Play
- Compatible with all major brands of Sound cards
- Cascadable
- Supports high resolution monitors (1280x1024)
- Transmits audio and video signals along CAT5 cable
- Individual picture adjustment

## 5. System components

The AV Splitter system consists of:

### A Central unit – 2 or 4 port model

- VGA cable - (P/N 5CB40056)
- Stereo Plug cable - (P/N 5CB40027)
- Power adapter – 230VAC (P/N 5PS10018) or 120VAC (P/N 5PS20019)
- Power cord

### Remote units 2 or 4

- Power adapter – 230VAC (P/N 5PS10018) or 120VAC (P/N 5PS20019)
- Power cord

Use CAT5 cables to connect the Remote units to the Central unit.

Figure 1 illustrates the AV Splitter system configuration.

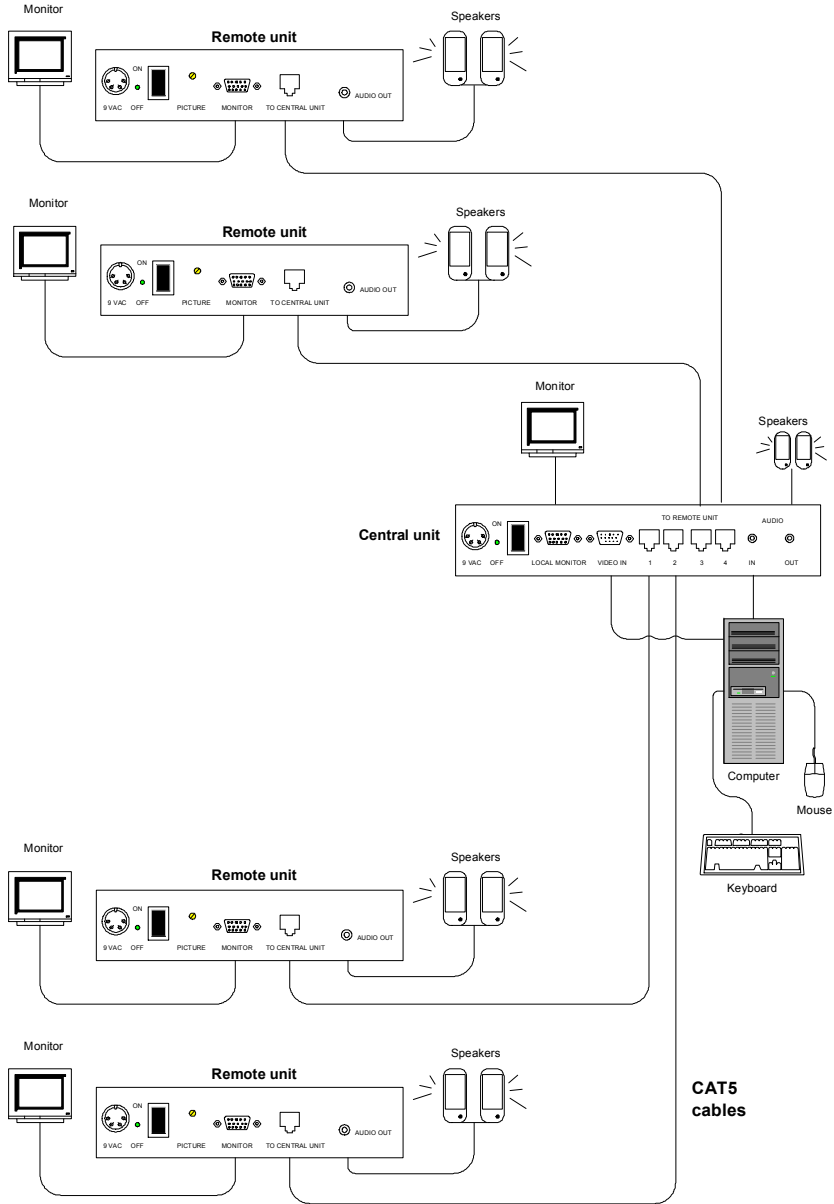


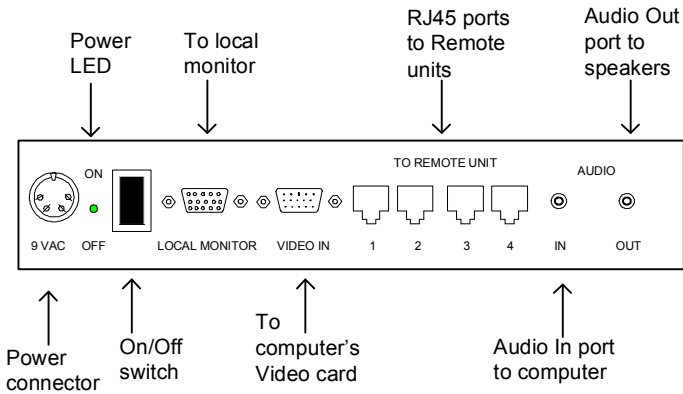
Figure 1 AV Splitter system configuration

## 6. Pre-installation guidelines

- Place cables away from fluorescent lights, air conditioners, and machines that are likely to generate electrical noise.
- Ensure that the distance from the Central unit to each Remote unit does not exceed the maximum cable length of 110m / 360ft.

## 7. Connecting the Central unit

Figure 2 illustrates the ports of the 4-port Central unit.



**Figure 2 Central unit rear panel**

Connect the following to the Central unit:

- Monitor
- VGA cable
- CAT5 cables – 1 for each remote unit
- Speakers (optional)
- Stereo Plug cable
- Power adapter and cord

Figure 3 below illustrates the connections of items 1-6 above.

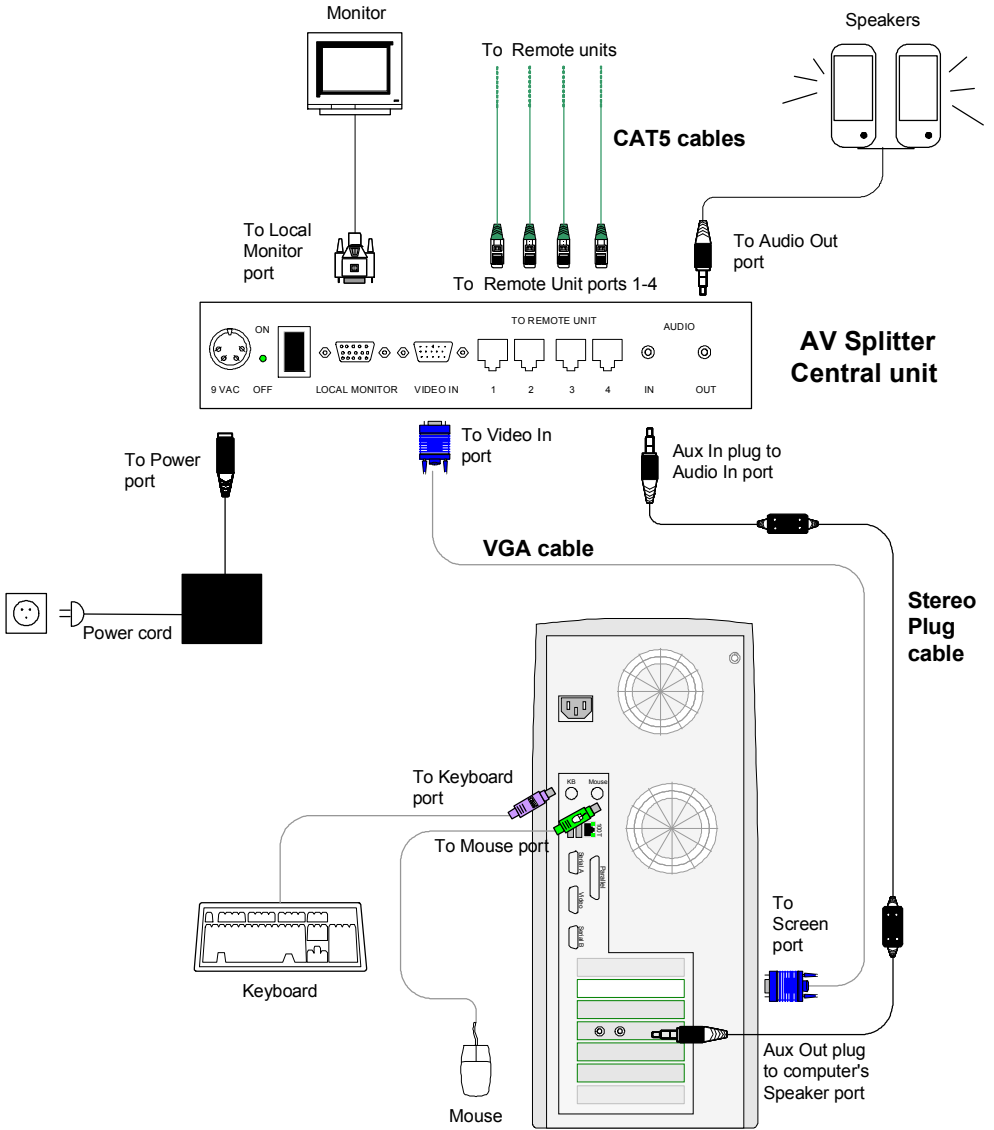


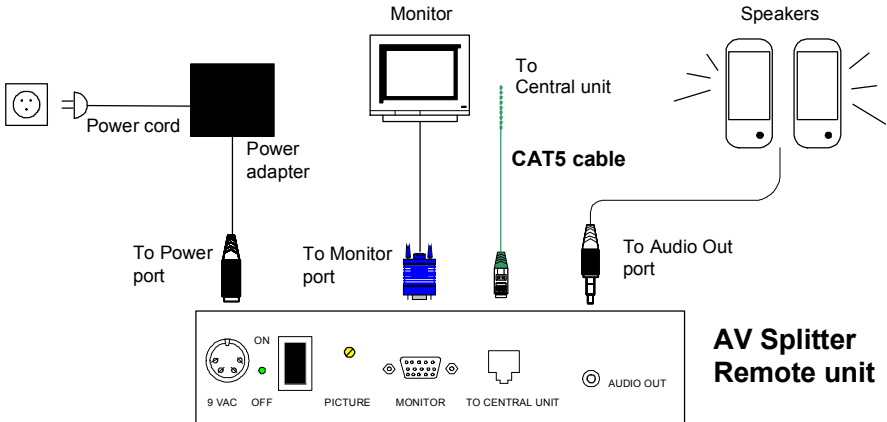
Figure 3 Central unit connections

## 8. Connecting the Remote units

Connect the following to each Remote unit:

- Monitor
- CAT5 cable
- Speakers
- Power adapter

Figure 4 below illustrates the Remote unit connections.



**Figure 4 Remote unit connections**

## 9. Operating the system

Once the AV Splitter system is connected, power on in the following order:

1. Power on the computer.
2. Power on the AV Splitter units.

The audio and video signals broadcast to all the Remote units.

### 9.1 Adjusting the remote screen image

To adjust the image on the remote screens, use a screwdriver to turn the Picture Adjuster on the Remote units.

### 9.2 Adjusting the volume

To adjust the volume of all Remote units simultaneously, use the volume control in Windows. You can also adjust the individual speakers at each Remote unit.

## 10. Technical specifications

<b>Resolution</b>	Up to 1280 x 1024 @ 75 Hz
<b>Dimensions</b>	<b>Central unit</b> 3.0 x 7.8 x 22.4 cm / 1.22 x .11 x 8.82 inches <b>Remote unit</b> 3.0 x 7.8 x 15.7 cm / 1.22 x 3.11 x 6.18 inches
<b>Weight</b>	Central unit - 450g Remote unit - 260g
<b>Power supply</b>	Power adapter: AC/AC 230VAC/9VAC x 2/2A Or: AC/AC 120VAC/9VAC x 2/2A
<b>Operating temperature</b>	0° C to 40° C / 32° F to 104° F
<b>Storage temperature</b>	-40° C to 40° C / -40° F to 104° F
<b>Screens</b>	VGA, SVGA, XGA

<b>Video Interface</b>	Video Signal: Analog Signal Red Green Blue 0.7Vp-p/75 $\Omega$ positive	
	Sync:	TTL Compatible
	Horizontal:	Sync. positive/negative
	Vertical:	Sync. positive/negative
	Impedance:	75 Ohms
<b>Horizontal frequency:</b>	30-100 KHz	
<b>Vertical frequency:</b>	43-100 Hz	
<b>Audio specs</b>		
<b>Frequency response</b>	20Hz – 16KHz (-3db)	
<b>V in V out max</b>	2vp-p	

## 11. User guide feedback

Your feedback is very important to help us improve our documentation. Please email any comments to: [ug.comments@minicom.com](mailto:ug.comments@minicom.com)

Please include the following information: Guide name, part number and version number (as appears on the front cover).



## Regional Offices

### Germany

Kiel

Tel: + 49 431 668 7933

[info.germany@minicom.com](mailto:info.germany@minicom.com)

### France

Vincennes

Tel: + 33 1 49 57 00 00

[info.france@minicom.com](mailto:info.france@minicom.com)

### Italy

Rome

Tel: + 39 06 8209 7902

[info.italy@minicom.com](mailto:info.italy@minicom.com)

[www.minicom.com](http://www.minicom.com)

