

CAT5 AV Extender

Quick Installation Guide



www.minicomdigitalsignage.com

International HQ

Dübendorf, Switzerland

Tel: +41 44 823 8000

ds@minicom.com

North American HQ

Linden, NJ, USA

Tel: + 1 908 486 2100

ds.usa@minicom.com

European HQ

Dübendorf, Switzerland

Tel: + 41 44 823 8000

ds.europe@minicom.com

Technical support - ds.support@minicom.com

1. Introduction

The AV Extender system extends Audio/Video signals to a distance of 110m/330ft.

2. System components

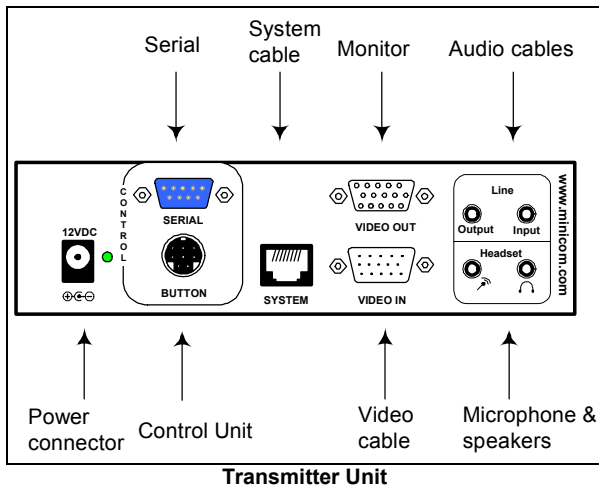
The AV Extender system consists of the following components:

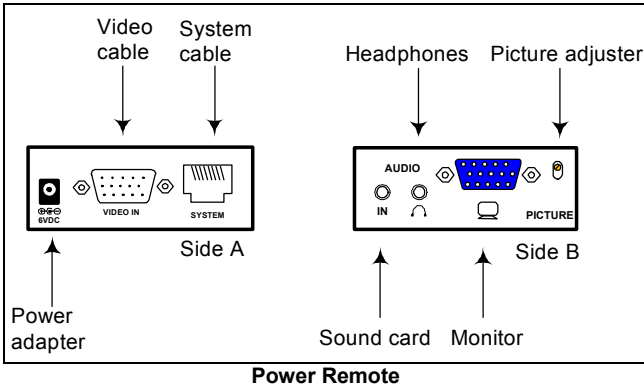
- Transmitter Unit + Control Unit
- A Power Remote unit

CAT5 UTP/FTP cables connect the AV Extender system. The Power Remote can be located up to 110m/300ft away from the Transmitter.

3. The AV Extender units

The figures below illustrate the Transmitter Unit, Control Unit and Power Remote unit.





4. The AV Extender system configuration

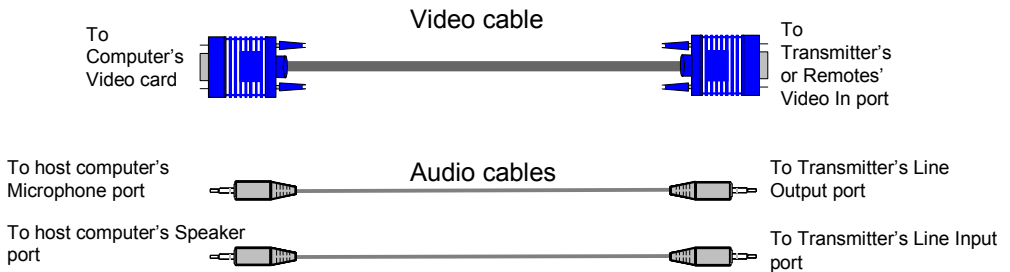
The figure below illustrates the basic configuration of the AV Extender system.

Note! You can connect an optional remote computer to the Power Remote and work on that computer locally.



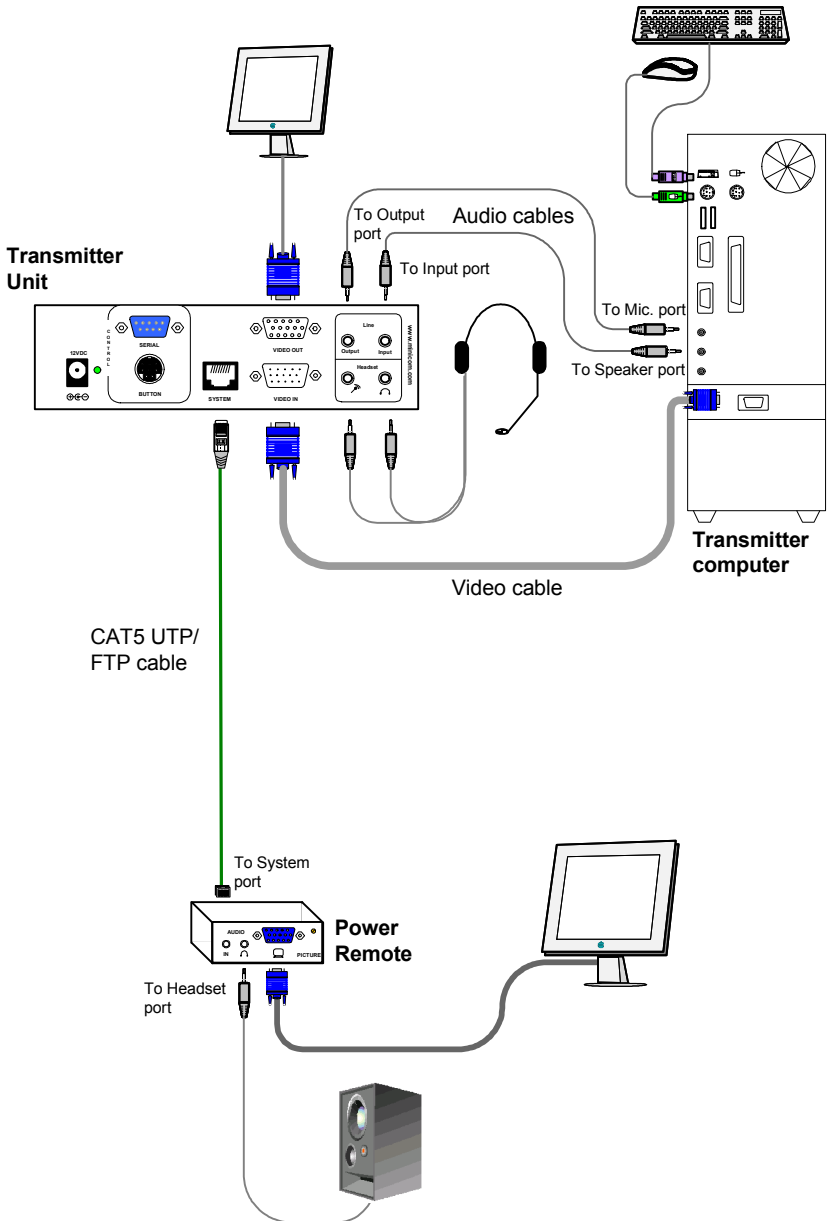
5. The AV Extender cables

The AV Extender cables are illustrated below.



6. The AV Extender detailed connections

The figure below illustrates the AV Extender configuration.



7. Power supply

Connect the Transmitter and Power Remote to the power supply with the Power adapters provided 12 VDC, from the AC/DC for the Transmitter and 6 VDC, from the AC/DC for the Power Remote.

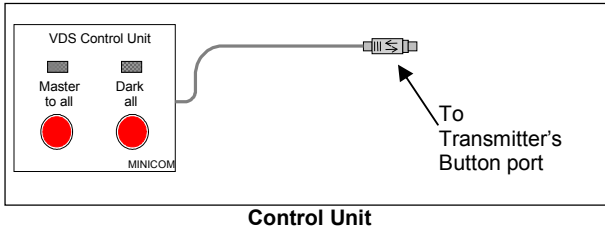
Once connected, the Audio/Video signals are broadcast to the Power Remote unit.

8. Adjusting the picture

When the broadcast screen needs adjusting, use a small screwdriver to turn the Picture adjuster on the Power Remote.

9. Accessories and options

You can add a Control Unit to the AV Extender system - see below.



The Control Unit performs the following functions:

Master to all

Press the **Master to all** button to send the host computer's screen with audio to the remote screen /speakers. The LED above the button lights up.

Press the button again to release the remote screen/speakers.

Dark all

Press the **Dark all** button to darken all remote screens. The LED above the button lights up. (This does not affect audio broadcasting).

Press the button again to release the remote screen.

10. Options

Connect a computer at the Power Remote location.

Control the system with the Control Unit or via RS232 Serial control.

You will find more information on the above accessories and options in the Maintenance kit.

11. Technical specifications

SYSTEM	
Resolution	Up to 1600x1200 @ 75 Hz
System cable	Shielded CAT5 UTP/FTP cable
Max distance	110m/330ft
Input/Output Video Signals	Analog signal red, green, blue 0.7v p-p 75 Ohm
Sync.	TTL compatible
Horizontal/Vertical Sync. Polarity	Positive/Negative
Audio	Mono
Operating Temperature	0°C to 40°C/32°F to 104°F
Storage Temperature	-40°C to 70°C/-40°F to 158°F
Warranty	3 Years

	TRANSMITTER	POWER REMOTE
Cables & Connectors	VGA In - HDD15M	System In - RJ45
	VGA Out - HDD15F	CPU VGA - HDD15M
	System Out - RJ45	Screen - HDD15F
	Mic/Headphone/Sc In/Out – Jack	Audio In/Out - Jack
	Controller - MiniDin8F	
Dimensions (HxWxD)	4.2 x 15 x 9.4 cm/ 1.6 x 5.9 x 3.7 in	3.2 x 7.8 x 6.2 cm/ 1.3 x 3.1 x 2.4 ”
	Power supply	AC/DC Power Adapter 12VDC
		AC/DC Power Adapter 6VDC

