

# VGA Extender

## Quick Installation Guide



[www.minicomdigitalsignage.com](http://www.minicomdigitalsignage.com)

### **International HQ**

Dübendorf, Switzerland

Tel: +41 44 823 8000

[ds@minicom.com](mailto:ds@minicom.com)

### **North American HQ**

Linden, NJ, USA

Tel: + 1 908 486 2100

[ds.usa@minicom.com](mailto:ds.usa@minicom.com)

### **European HQ**

Dübendorf, Switzerland

Tel: + 41 44 823 8000

[ds.europe@minicom.com](mailto:ds.europe@minicom.com)

Technical support - [ds.support@minicom.com](mailto:ds.support@minicom.com)

## 1. What is the VGA Extender?

The VGA Extender from Minicom extends video (VGA) signals up to 110m/360ft (depending on resolution).

## 2. System Components

- VDS Transmitter
- VDS Dual Screen (Receiver)
- Optional CAT5 VDS Line Splitter

## 3. Connecting the VGA Extender system

The figure below illustrates the VGA Extender system overview. Connect the Receiver to 1 or 2 screens, up to 110m/360ft away from the Transmitter (depending on resolution).

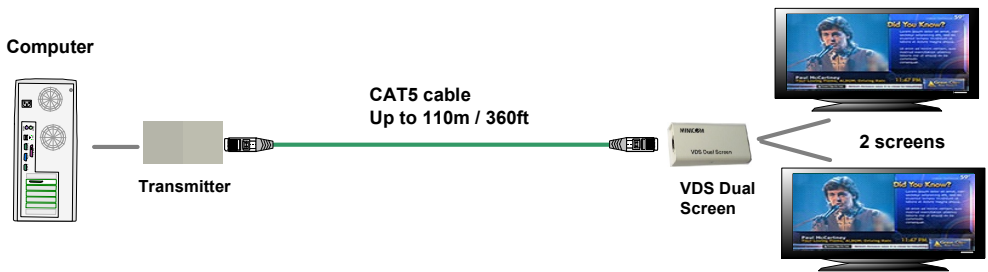
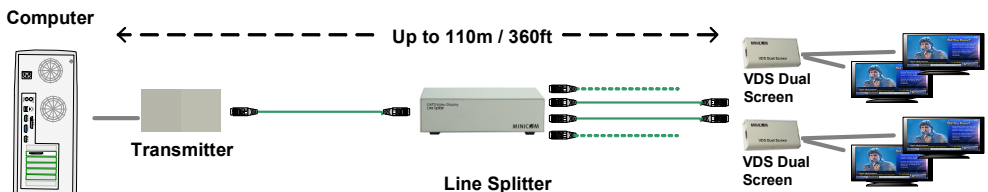


Figure 1 The VGA Extender system overview

The figure below illustrates the VGA Extender system with a connected Line Splitter adding up to 14 more screens to the system. (With cascading you can have a maximum of 64 screens).



## 4. Pre-installation guidelines

- Switch off the computer
- Place cables away from fluorescent lights, air conditioners, and machines that are likely to generate electrical noise

## 5. Connecting the Transmitter

Connect the Transmitter as illustrated in Figure 2.

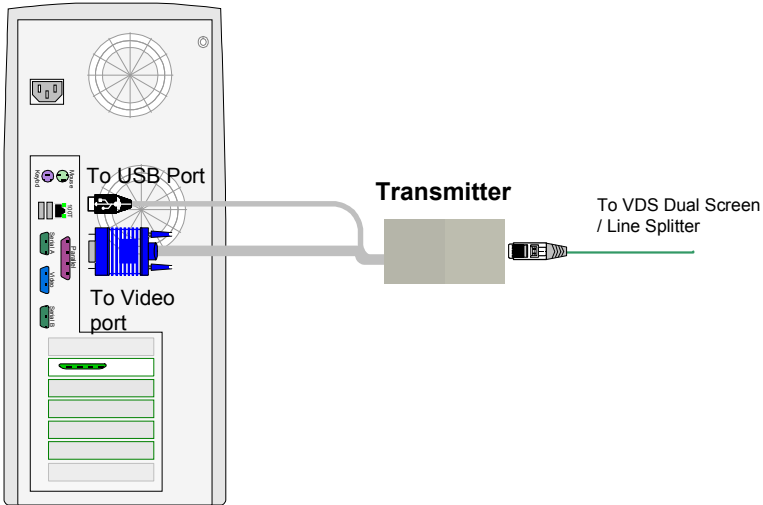


Figure 2 Transmitter connections

**Note!** Although we recommend connecting the Transmitter to a switched off computer, you can connect it to a switched on computer.

To do so, you must connect it in the following order:

1. USB connector.
2. Video connector.

## 6. Connecting the Receiver

Connect the Receiver as illustrated below.

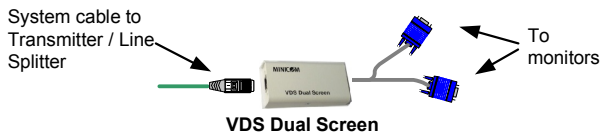


Figure 3 Receiver connections

## 7. Connecting the CAT5/6/7 cable

A CAT5/6/7 cable connects to the RJ45 ports of the Transmitter and the VDS Dual Screen.

## 8. Power supply

Connect the supplied 5VDC Power adapter to the Receiver. The Transmitter receives its power from the connected computer or optional external power supply.

## 9. Connecting the Line Splitter

Connect up to 64 screens by adding up to 2 levels of CAT5 Video Display Line Splitters to the VGA Extender system. Figure 4 illustrates the ports of the Line Splitter and Figure 5 illustrates the detailed connections of the system including the Transmitter, the Receivers and a Line Splitter. For the Line Splitter connect the supplied 12VDC Power adapter.

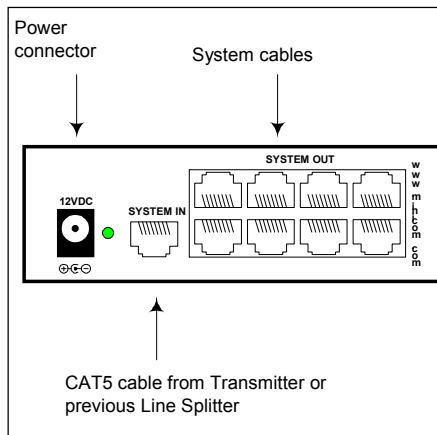
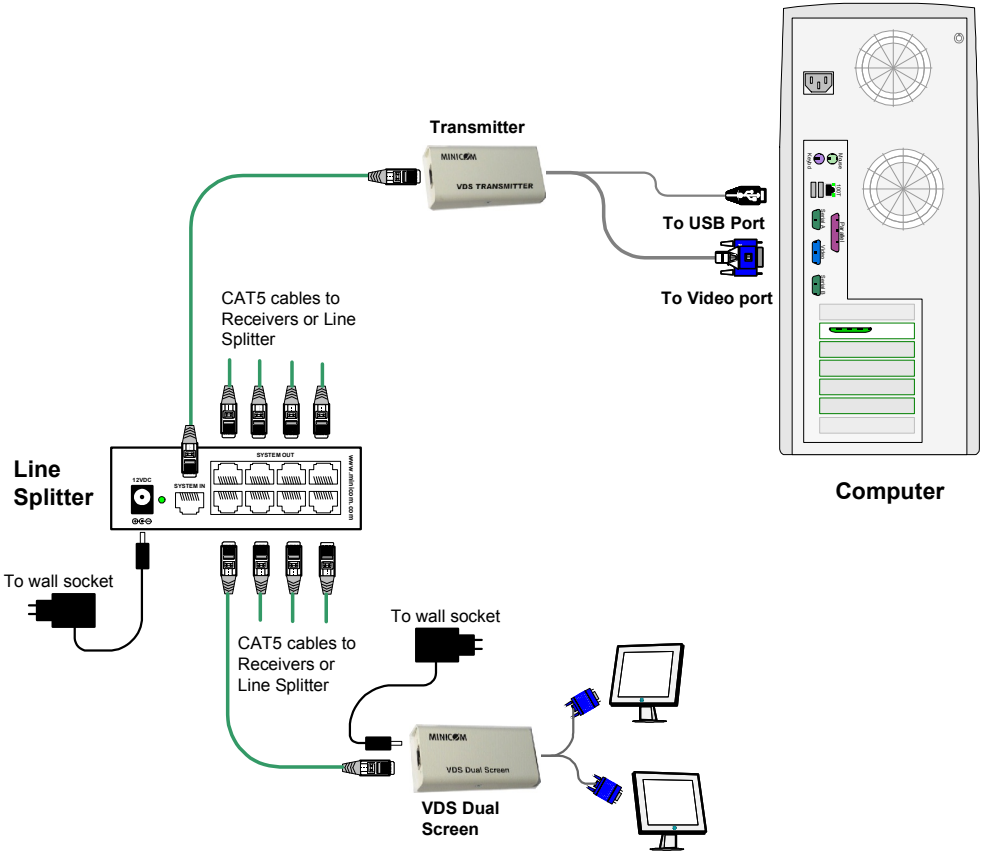


Figure 4 Line Splitter



**Figure 5 Detailed connections**

See the full User Guide for operating instructions and further details.